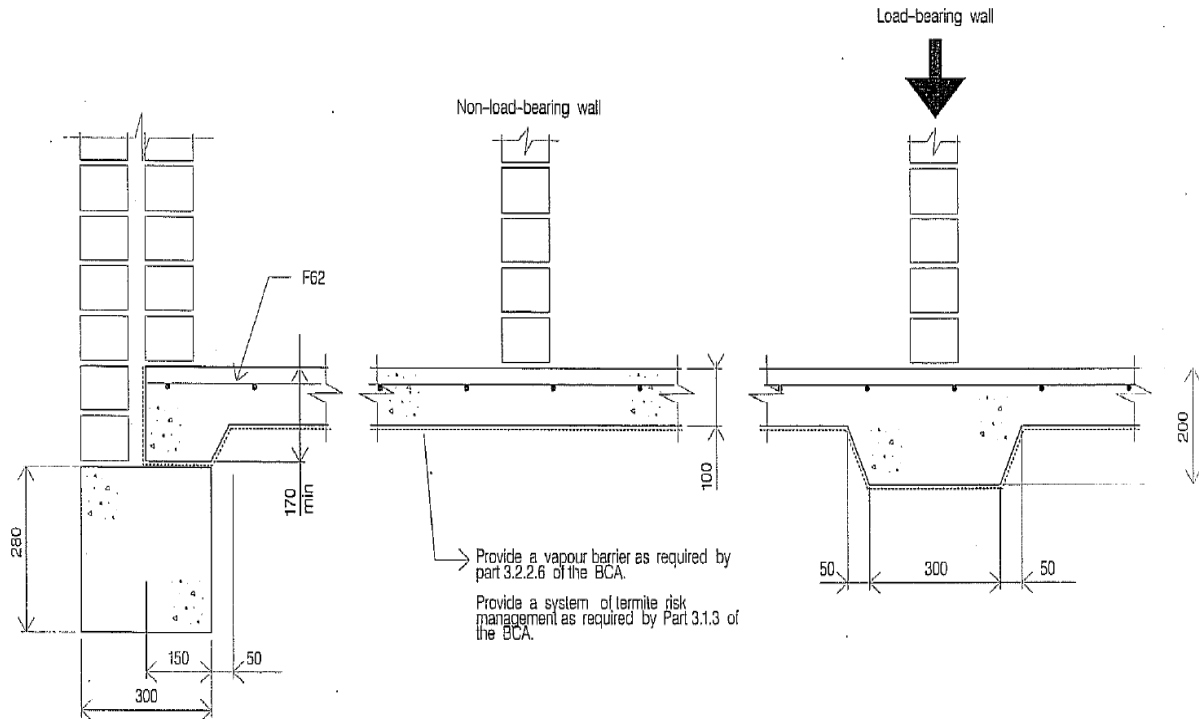


## Footing Details for Sandy Soil – Single Storey



### NOTE

1. Use F63 when slab length is less than or equal to 12m.
2. Use F62 when slab length is less than or equal to 18m.
3. Use F72 when slab length is more than 18m.